



## Height Gauges Pages 232-240



## Data Processing Height Gauges Pages 241-244

# Lightweight Vernier Height Gauge

## Series 506

- Accurate and fast reading due to satin chrome finished main and vernier scales.
- Hardened and precision ground column.
- Cranked, carbide-tipped scribe.



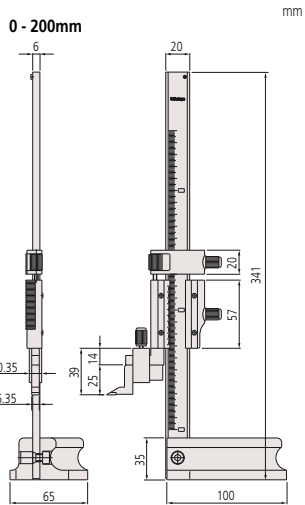
506-207

### Metric

No.	Range	Accuracy	Mass kg
506-207	0-200 mm	±0,03 mm	1,4

### Inch/Metric

No.	Range	Accuracy	Mass kg
506-208*	0-200 mm/0-8"	±0,03 mm/0.001"	1,4



Functions	Series 506
Fine adjustment	

### Specifications

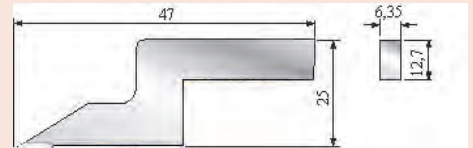
Accuracy	Refer to the list of specifications.
Resolution	0,02 mm or 0,02 mm/0.001"

### Standard accessories

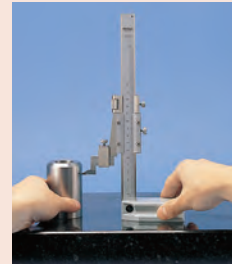
No.	Description
07GZA004	Scriber for 200/300 mm models
900173	Carbide-tipped scribe

### Optional accessories for Inch

No.	Description
953639	Holding bar 2"




900173



# Standard Vernier Height Gauge

## Series 514

- Accurate and fast reading due to satin chrome finished main and vernier scales.
- Hardened and precision ground column.
- Cranked, carbide-tipped scriber.

Functions	Series 514
Fine adjustment	

### Specifications

Accuracy	Refer to the list of specifications.
Graduation	0,02 mm or 0.001"
Scale adjustment	15 mm/0.6" for models up to 600 mm (24")
	25mm/1" for models 1000 and 1500 mm (0-40")

### Standard accessories

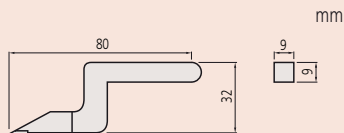
No.	Description
905008	Scriber Clamp for 514-170 model
07GZA000	Carbide-tipped scriber
05GZA033	Scriber clamp (2 pieces)
905200	Carbide-tipped 1000 mm
900390	Carbide-tipped 1500 mm

### Optional accessories

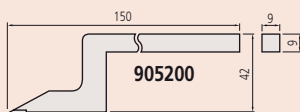
No.	Description
902053	Swivel clamp
011372	Battery PR-44 (1,4 V)
07GZA003	Magnifier for reading scale (300/450/600 mm models)
07GZA015	Magnifier for reading scale (1000 mm models)
953638	Holding bar 50mm
900764	Depth measurement attachment 9x9 mm
900872	Electrical contact sensor
905353	Battery-Adapter for 900872
951144	Centre master

### Optional accessories for Inch

No.	Description
900581	Imperial centre master
900878	Depth measurement attachment 0.25x0.5"



07GZA000



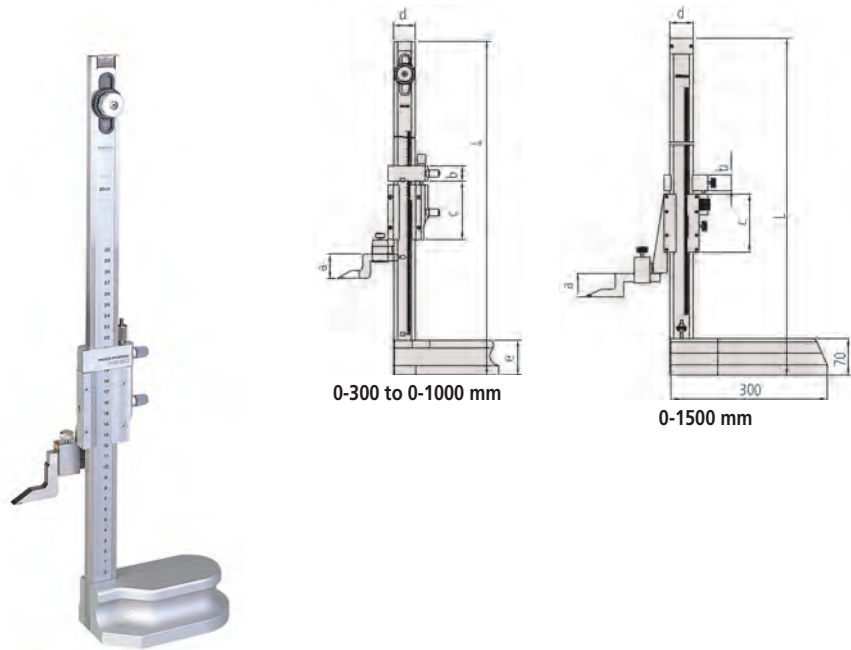
905200



900872



900764



514-102

### Metric

No.	Range	Accuracy	Resolution	Fine adjustment	L mm	a mm	b mm	c mm	d mm	e mm	Mass kg
514-102	0-300 mm	±0,04 mm	0,02 mm	4 mm	525	32	20	70	28	45	3.1
514-104*	0-450 mm	±0,05 mm	0,02 mm	4 mm	675	32	20	70	28	45	3.4
514-106	0-600 mm	±0,05 mm	0,02 mm	7 mm	870	32	24	85	35	54	7.4
514-108	0-1000 mm	±0,07 mm	0,02 mm	6 mm	1,340	42	30	110	45	65	20
514-170*	0-1500 mm <sup>(1)</sup>	±0,18 mm	0,05 mm	20 mm	1,760	45	30	110.5	45	70	26

<sup>(1)</sup> Delivered with magnifier

### Inch/Metric

No.	Range	Accuracy	Resolution	Fine adjustment	L mm	a mm	b mm	c mm	d mm	e mm	Mass kg
514-103	0-300 mm/ 0-12"	±0,04 mm/ 0.002"	0,02 mm/ 0.001"	4 mm/ 0.16"	525	32	20	70	28	45	3.1
514-105*	0-450 mm/ 0-18"	±0,05 mm/ 0.002"	0,02 mm/ 0.001"	4 mm/ 0.16"	675	32	20	70	28	45	3.4
514-107	0-600 mm/ 0-24"	±0,05 mm/ 0.002"	0,02 mm/ 0.001"	6 mm/ 0.27"	870	32	24	85	35	54	7.4
514-109*	0-1000 mm/ 0-40"	±0,07 mm/ 0.003"	0,02 mm/ 0.001"	6 mm/ 0.24"	1,340	42	30	110	45	65	19

# Dial Height Gauge

## Series 192

- Easy and error-free reading with both up and down digital counters as well as a dial.
- Provided with a handwheel for easy coarse adjustment.
- Carbide-tipped scriber is provided.



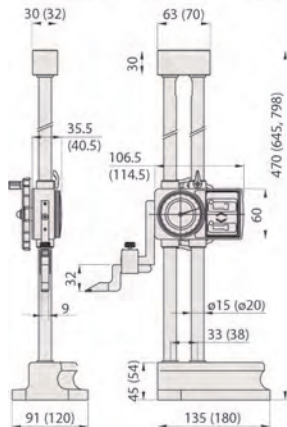
### Metric

No.	Range	Accuracy	Mass kg
192-130	0-300 mm	±0,03 mm	4.2
192-131*	0-450 mm	±0,05 mm	9.2
192-132	0-600 mm	±0,05 mm	9.8
192-133	0-1000 mm	±0,07 mm	17.0

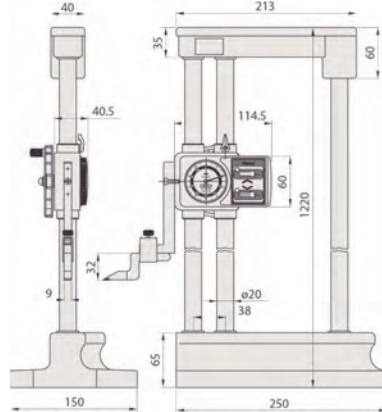
### Inch

No.	Range	Accuracy	Mass kg
192-150*	0-12"	0.0015"	4.2
192-151*	0-18"	0.002"	9.2
192-152*	0-24"	0.002"	9.8
192-153*	0-40"	0.003"	17.0

0 - 300 mm (0 - 450 mm, 0 - 600 mm)



0 - 1000 mm



## Specifications

Accuracy	Refer to the list of specifications
Resolution	0,01 mm or 0.001"
Repeatability	0,01 mm
Delivered	Including scriber, scriber holder and cover

## Standard accessories

No.	Description
07GZA000	Carbide-tipped scriber
05GZA033	Scriber clamp (2 pieces)

## Optional accessories

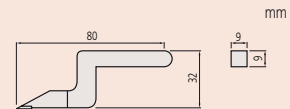
No.	Description
011372	Battery PR-44 (1,4 V)
192-005	Scribing probe
900321	Swivel clamp
953638	Holding bar 50mm
900209	Holding bar 100 mm
900764	Depth measurement attachment 9x9 mm
900872	Electrical contact sensor
905353	Battery-Adapter for 900872
951144	Centre master

## Standard accessories for Inch

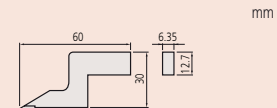
No.	Description
901385	Scriber clamp
900258	Carbide-tipped scriber

## Optional accessories for Inch

No.	Description
953639	Holding bar 2"
900306	Holding bar 4"
900581	Imperial centre master
900878	Depth measurement attachment 0.25x0.5"



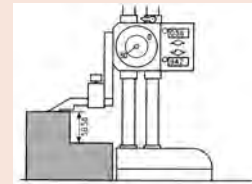
## 07GZA000



## 900258



Reset



## Reading off

Counter : 58,00 mm  
Dial Gauge : 0,50 mm

Result : 58,50 mm

# ABSOLUTE Digimatic Height Gauge

ABSOLUTE  
Absolute System Enhanced by MITUTOYO

Functions	Series 570
DATA/OUTPUT	●
ORIGIN	●
ZERO/ABS	●
PRESET	●
±SWITCHING	●
ON/OFF	●
DATA/HOLD	●
Low voltage alarm	●

## Specifications

Accuracy	Refer to the list of specifications. (excluding quantizing error)
Resolution	0,01 mm or 0,01 mm/0.0005"
Repeatability	0,01 mm
Display	LCD, 6-digit
Scale type	ABSOLUTE electrostatic linear encoder
Max. slider speed	Unlimited
Delivered	Including 1 battery, scriber and scriber holder

## Standard accessories

No.	Description
901338	Scriber Clamp
05GZA033	Scriber clamp (2 pieces)
905200	Carbide-tipped 1000 mm
900173	Carbide-tipped scriber

901338 : scriber clamp for 570-227

900173 : carbide-tipped scriber for 570-227

## Optional accessories

No.	Description
902053	Swivel clamp
905338	Data cable 1 m
011372	Battery PR-44 (1,4 V)
905409	Data cable 2 m
953638	Holding bar 50mm
02AZD790F	Data cable U-Wave
06ADV380F	Data cable 2 m USB
900764	Depth measurement attachment 9x9 mm
900872	Electrical contact sensor
905353	Battery-Adapter for 900872
951144	Centre master

## Consumable spares

No.	Description
938882	Battery SR44

## Standard accessories for Inch

No.	Description
901338	Scriber Clamp
901385	Scriber clamp
900173	Carbide-tipped scriber
905201	Carbide-tipped scriber

901338 : scriber clamp for 570-244

900173 : carbide-tipped scriber for 570-244

## Optional accessories for Inch

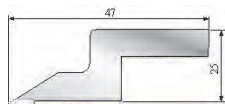
No.	Description
953639	Holding bar 2"
900581	Imperial centre master
900878	Depth measurement attachment 0.25x0.5"

## Series 570

- Built-in ABSOLUTE linear encoder that eliminates the necessity of setting the reference point at every power-on. Reliability is improved because over-speed errors cannot occur.
- Fine-adjustment for precise positioning.
- Carbide-tipped scriber is provided.
- SPC data output.



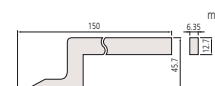
570-227



900173



905200



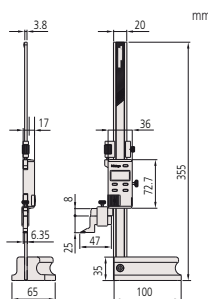
905201

## Metric

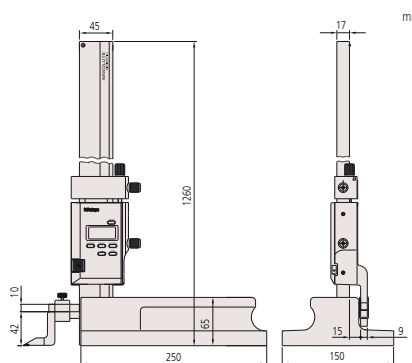
No.	Range	Accuracy	Remarks	Mass (kg)	L
570-227	0-200 mm	±0,03 mm	2 x PRESET	1.3	355
570-230	0-1000 mm	±0,07 mm		16.8	1260

## Inch/Metric

No.	Range	Accuracy	Mass (kg)	L
570-244	0-200 mm/0-8"	±0,03 mm/0.002"	1.3	
570-248	0-1000 mm/0-40"	±0,07 mm/0.003"	16.8	1260



0-200 mm



0-1000 mm

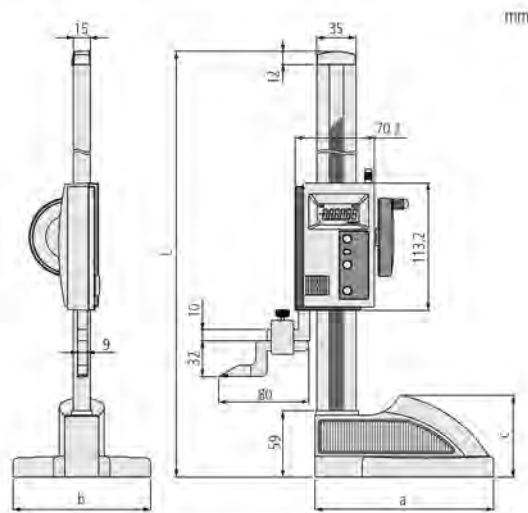
# ABSOLUTE Digimatic Height Gauge with Rack

## Series 570

- Built-in ABSOLUTE linear encoder that eliminates the necessity of setting the reference point at every power-on. Reliability is improved because over-speed errors cannot occur.
- Rigid column structure ensures high measuring accuracy.
- With large and smooth-acting slider handwheel for coarse- and fine-adjustment.
- Carbide-tipped scriber is provided.
- SPC data output.



570-302



### Metric

No.	Range	Accuracy	Mass (kg)	A mm	B mm	C mm	L
570-302	0-300 mm	±0,03 mm	4.6	160	122	72,6	507
570-304	0-600 mm	±0,05 mm	6.4	181	142	74,1	812

### Inch/Metric

No.	Range	Accuracy	Mass (kg)	A mm	B mm	C mm	L
570-312	0-300 mm/0-12"	±0,03 mm/0.0015"	4.6	160	122	72,6	507
570-313*	0-450 mm/0-18"	±0,05 mm/0.002"	5.9	181	142	74,1	662
570-314	0-600 mm/0-24"	±0,05 mm/0.002"	6.4	181	142	74,1	812



Large smooth slider handwheel



Large clamp lever



Fits the hand comfortably

Functions	Series 570
DATA/OUTPUT	●
ORIGIN	●
ZERO/ABS	●
ON/OFF	●
DATA/HOLD	●
Low voltage alarm	●

### Specifications

Accuracy	Refer to the list of the specifications. (excluding quantizing error)
Resolution	0,01 mm or 0,01 mm/0.0005"
Repeatability	0,01 mm
Display	LCD, 6-digit
Scale type	ABSOLUTE electrostatic linear encoder
Max. slider speed	Unlimited
Delivered	Including 1 battery, scriber and scriber holder

### Standard accessories

No.	Description
07GZA000	Carbide-tipped scriber
05GZA033	Scriber clamp (2 pieces)

### Optional accessories

No.	Description
902053	Swivel clamp
905338	Data cable 1 m
905409	Data cable 2 m
900321	Swivel clamp
953638	Holding bar 50mm
02AZD790F	Data cable U-Wave
06ADV380F	Data cable 2 m USB

### Consumable spares

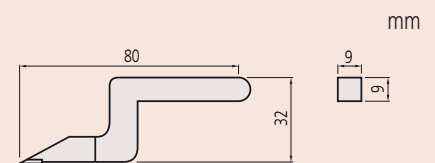
No.	Description
938882	Battery SR44

### Standard accessories for Inch

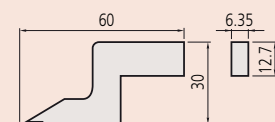
No.	Description
901385	Scriber clamp
900258	Carbide-tipped scriber

### Optional accessories for Inch

No.	Description
953639	Holding bar 2"



07GZA000



900258



# Digimatic HD-A Height Gauge

## Series 192

- Easy-to-use standard type.
- Carbide-tipped scriber is provided.
- Double-column structure ensures high measuring accuracy.
- SPC data output.

Functions	Series 192
Data Output	●
ZERO/ABS	●
PRESET	●
±SWITCHING	●
ON/OFF	●
Probe tip diameter compensation	●
DATA/HOLD	●
Low voltage alarm	●

### Specifications

Accuracy	Refer to the list of specifications. (excluding quantizing error)
Resolution	0,01/0,005 mm or 0,01/0,005 mm (0.0005/0.0002")
Repeatability	0,01 mm
Display	LCD, 6-digit
Max. slider speed	500 mm/s
Delivered	Including scriber, scriber holder, 1 battery and cover

### Standard accessories

No.	Description
07GZA000	Carbide-tipped scriber
05GZA033	Scriber clamp (2 pieces)
450290	Cover 1000 mm
450291	Cover 300 mm
450292	Cover 600 mm

### Optional accessories

No.	Description
905338	Data cable 1 m
905409	Data cable 2 m
192-005	Scribing probe
900321	Swivel clamp
953638	Holding bar 50mm
900209	Holding bar 100 mm
02AZD790F	Data cable U-Wave
06ADV380F	Data cable 2 m USB

### Consumable spares

No.	Description
938882	Battery SR44

### Standard accessories for Inch

No.	Description
901385	Scriber clamp
900258	Carbide-tipped scriber

### Optional accessories for Inch

No.	Description
953639	Holding bar 2"
900306	Holding bar 4"



192-613-10

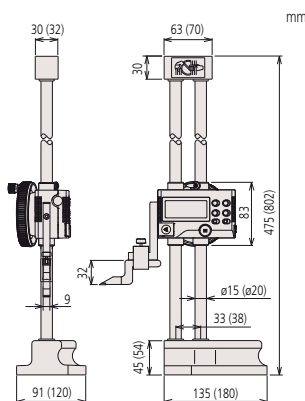


### Metric

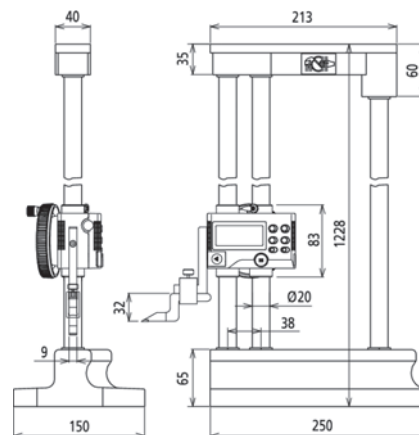
No.	Range	Accuracy	Mass kg
192-613-10	0-300 mm	±0,02 mm	6.5
192-614-10	0-600 mm	±0,05 mm	10.4
192-615-10	0-1000 mm	±0,07 mm	19.2

### Inch/Metric

No.	Range	Accuracy	Mass kg
192-630-10	0-300 mm/0-12"	±0,02 mm/0.001"	6.5
192-631-10*	0-450 mm/0-18"	±0,05 mm/0.002"	10.4
192-632-10	0-600 mm/0-24"	±0,05 mm/0.002"	10.4
192-633-10	0-1000 mm/0-40"	±0,07 mm/0.003"	19.2



0-300 mm  
0-450 mm  
0-600 mm



0-1000 mm

# Digimatic HDM-A Height Gauge

## Series 192

- Highly versatile multi-function type.
- Carbide-tipped long scriber is provided.
- Rigid construction ensures repeatable measurement.
- Inclined handle improves slider ergonomics.
- Bidirectional touch-trigger probe is an optional accessory. It can quickly and accurately measure steps as well as inside and outside dimensions.
- SPC data output.



Bidirectional touch-trigger probe

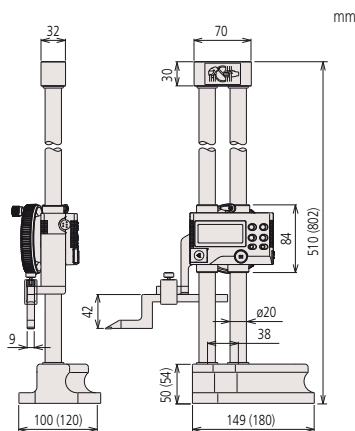
192-663-10

### Metric

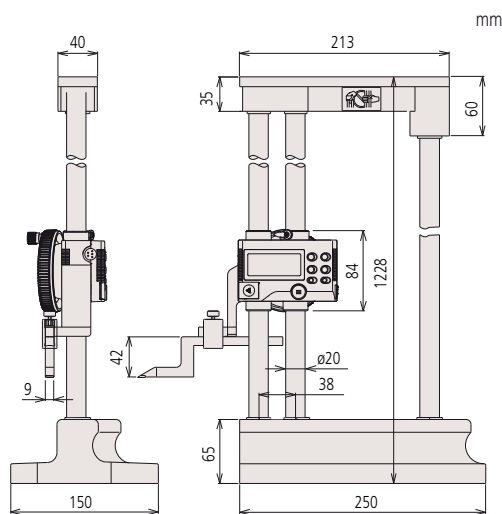
No.	Range	Accuracy	Mass kg
192-663-10	0-300 mm	±0,02 mm	7.5
192-664-10	0-600 mm	±0,04 mm	10.4
192-665-10	0-1000 mm	±0,06 mm	19.2

### Inch/Metric

No.	Range	Accuracy	Mass kg
192-670-10	0-300 mm/0-12"	±0,02 mm/0.001"	6.5
192-671-10*	0-450 mm/0-18"	±0,04 mm/0.0015"	8.3
192-672-10	0-600 mm/0-24"	±0,04 mm/0.0015"	9.5
192-673-10	0-1000 mm/0-40"	±0,06 mm/0.0025"	19.8



0-300 mm  
0-450 mm  
0-600 mm



0-1000 mm

Functions	Series 192
Data Output	●
ZERO/ABS	●
PRESET	●
±SWITCHING	●
ON/OFF	●
Probe tip diameter compensation	●
Touch-trigger probe	●
DATA/HOLD	●
Low voltage alarm	●

### Specifications

Accuracy	Refer to the list of specifications. (excluding quantizing error)
Resolution	0,01/0,005 mm or 0,01 mm/0,005 mm (0.0005/0.0002")
Repeatability	0,01 mm
Display	LCD, 6-digit with minus sign
Max. slider speed	500 mm/s
Delivered	Including scriber, scriber holder, 1 battery and cover

### Standard accessories

No.	Description
05GZA033	Scriber clamp (2 pieces)
905200	Carbide-tipped 1000 mm
450290	Cover 1000 mm
450291	Cover 300 mm
450292	Cover 600 mm

### Optional accessories

No.	Description
905338	Data cable 1 m
905409	Data cable 2 m
192-007	Bidirectional touch-trigger probe
192-005	Scribing probe
900321	Swivel clamp
953638	Holding bar 50mm
900209	Holding bar 100 mm
02AZD790F	Data cable U-Wave
06ADV380F	Data cable 2 m USB

### Consumable spares

No.	Description
938882	Battery SR44

### Standard accessories for Inch

No.	Description
901385	Scriber clamp
905201	Carbide-tipped scriber

### Optional accessories for Inch

No.	Description
192-008	Bidirectional touch-trigger probe
953639	Holding bar 2"
900306	Holding bar 4"



# Heightmatic

## Series 574 - High Precision Height Gauge



- Excellent functionality and easy operation.
- The standard bidirectional touch-trigger probe provides improved efficiency and reliability of measurement for the Heightmatic.
- Optional carbide-tipped scribers are available.

Functions	Series 574 - High Precision Height Gauge
ZERO / ABS	●
PRESET	●
±SWITCHING	●
Probe tip diameter compensation	●
DATA/HOLD	●

### Specifications

Accuracy	Refer to the list of specifications. (excluding quantizing error)
Resolution	0,001 mm or 0,001 mm/0.0001"
Repeatability	0,001 mm
Display	LCD, 6-digit

### Standard accessories

No.	Description
145258	ø 3 mm contact point for touch-trigger probe
05GZA033	Scriber clamp (2 pieces)
526688D	AC adapter
574-006	Bidirectional touch-trigger probe ø 3 mm

### Optional accessories

No.	Description
07GZA000	Carbide-tipped scriber
145250	ø1 mm contact point for touch-trigger probe
145251	ø2 mm contact point for touch-trigger probe
936937	Data cable (1 m)
965014	Data cable (2 m)
02AZD790D	Data cable U-Wave
06ADV380D	Data cable (2 m) USB
900321	Swivel clamp
953638	Holding bar 50mm

### Standard accessories for Inch

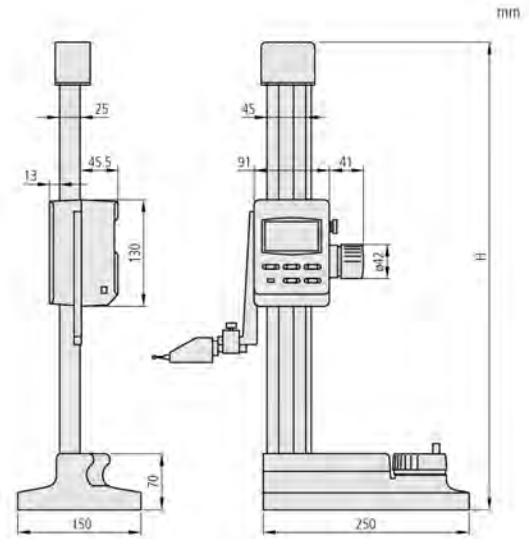
No.	Description
901385	Scriber clamp
526688UK	AC adapter 220 V (UK only)
574-007	Bidirectional touch-trigger probe ø 3 mm

### Optional accessories for Inch

No.	Description
953639	Holding bar 2"
900258	Carbide-tipped scriber



574-111-1D



### Metric

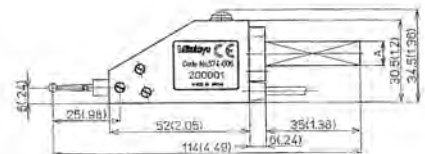
No.	Range	Accuracy	H mm	Mass kg
574-112-1D*	0-300 mm	±0,004 mm	574	13.6
574-111-1D*	0-450 mm	±0,004 mm	724	14.9
574-110-1D*	0-600 mm	±0,005 mm	874	16.2

### Inch/Metric

No.	No. UK only	Range	Accuracy	H mm	Mass kg
574-212-1D*	574-212-1E	0-300 mm/0-12"	±0,004 mm/0.0002"	574	13.6
574-211-1D*	574-211-1E	0-450 mm/0-18"	±0,004 mm/0.0002"	724	14.9
574-210-1D*	574-210-1E	0-600 mm/0-24"	±0,005 mm/0.0002"	874	16.2



- 574-006 - 574-007
- Bidirectional type
  - Over travel : Less than 3 mm
  - Contact point : ø3 mm ball
  - Repeatability : 0,0015 mm
  - Measuring force : 0,4 N



# Optional Accessories for Height Gauges

## Optional accessories for Height Gauges

- Hard-wearing carbide-tipped scribers are available for all height gauges.



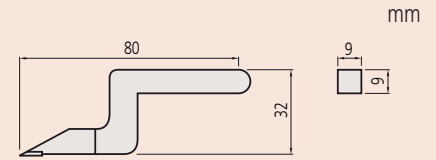
05GZA033

### Scriber clamps

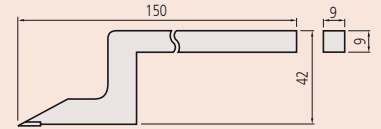
No.	Applicable height gauges
901338	570-227, 570-244
905008*	514-170
07GZA004	506-207, 506-208
05GZA033	192-130, 192-131, 192-132, 192-133 192-613-10, 192-614-10, 192-615-10 192-663-10, 192-664-10, 192-665-10 514-102, 514-103, 514-104, 514-106, 514-107, 514-108, 514-109 570-230 570-302, 570-304 574-110-1D, 574-111-1D, 574-112-1D
901385	192-150, 192-151, 192-152, 192-153 192-630-10, 192-631-10, 192-632-10, 192-633-10 192-670-10, 192-671-10, 192-672-10, 192-673-10 570-248 570-312, 570-313, 570-314

### Carbide-tipped scribers

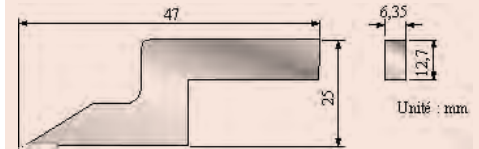
No.	Applicable height gauges
07GZA000	192-130, 192-131, 192-132, 192-133 192-613-10, 192-614-10, 192-615-10 514-102, 514-103, 514-104, 514-105, 514-106, 514-107 570-302, 570-304 574-110-1D, 574-111-1D, 574-112-1D
905200	192-663-10, 192-664-10, 192-665-10 514-108, 514-109 570-230
900173	570-227, 570-244 506-207, 506-208
900258	192-150, 192-151, 192-151, 192-152 192-630-10, 192-631-10, 192-632-10, 192-633-10 570-312, 570-313, 570-314 574-210-1E, 574-211-1E, 574-212-1E
900390*	514-170
905201	192-670-10, 192-671-10, 192-672-10, 192-673-10 570-248



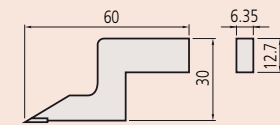
07GZA000



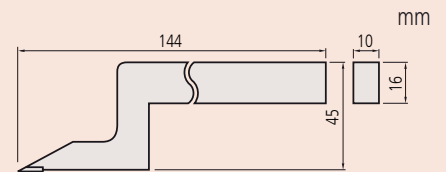
905200



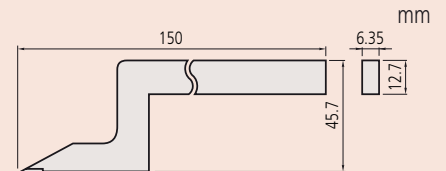
900173



900258



900390



905201

# Digital Height Gauge QM-Height

## Specifications

Accuracy	$\pm(2,8+5L/1000) \mu\text{m}$ L = Measuring length (mm)
Resolution	0,005/0,001mm or 0,005/0,001mm (0.0002/0.0001/0.00005")
Repeatability	$(2\sigma) \leq 1,8 \mu\text{m}$
Scale type	ABSOLUTE electrostatic linear encoder
Guiding method	Roller bearing
Drive method	Manual
Measuring force	1.6 $\pm$ 0.5 N
Probes	See specific chapter on Probes

## Standard accessories

No.	Description
011037	4 batteries LR-6 (AA)
12AAA715	Setting block for linear height

## Optional accessories

No.	Description
526688D	AC adapter



GO



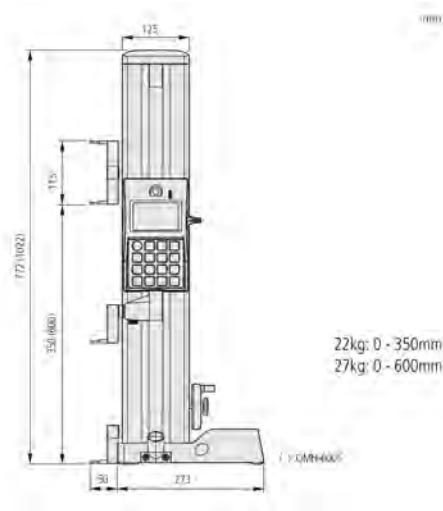
±NG

## Series 518

- A high accuracy and high resolution ABSOLUTE linear encoder for position detection.
- Easy reference icon keys.
- Possible to measure inside/outside diameter via unique process (detect the circle apex and process by tracing measurement).
- GO/±NG judgement is performed by setting the upper and lower tolerances. If a judgement result is out of tolerance the display backlighting changes from green to red, so tolerance judgement can be made at a glance.



518-226  
With Grip



( ) 0-600 mm

## Metric

No.	Range	Perpendicularity	Mass (kg)
518-224	0-350/115-465*1 mm	8 $\mu\text{m}$	22
518-226	0-600/115-715*1 mm	13 $\mu\text{m}$	27

\*1 Range with probe turned to upwards position

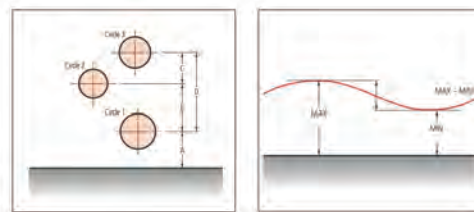
## Inch/Metric

No.	Range	Perpendicularity	Mass (kg)
518-225-1	0-350/115-465*1 mm/0-14"/4.5-18.5"*1	8 $\mu\text{m}$	22
518-227-1	0-600/115-715*1 mm/0-24"/4.5-28.5"*1	13 $\mu\text{m}$	27

\*1 Range with probe turned to upwards position



Linear QM-Height on request



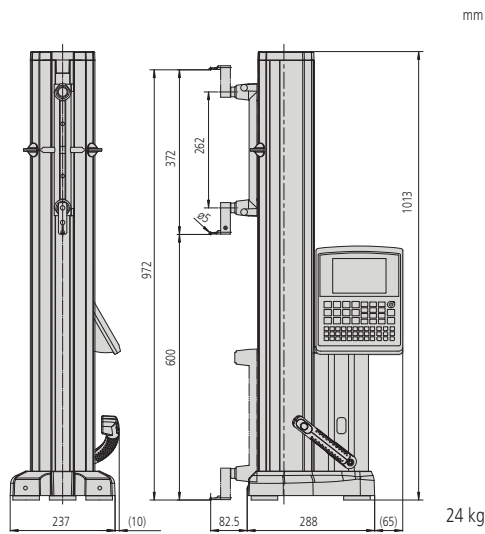
# Linear Height Gauge LH-600D/DG

## Series 518

- Excellent accuracy.
- Pneumatic drive mechanism.
- Self-explanatory control pad with menu control in display.
- Easy-to-read LCD display.
- Automatic running of pre-learnt part programs.
- GO/± NO GO display at each measurement.
- Mains-independent operation with rechargeable battery.
- Easy handling with low weight.
- RS-232C data output port.
- USB Data output (for storing data only).
- DIGIMATIC data input for when using a digital indicator (e.g. when testing perpendicularity).
- Statistic processing.



518-341D-21



With power grip

### Metric

No.	Remarks
518-341D-21	
518-342D-21	Power grip pre-installed

### Inch/Metric

No.	Remarks
518-341E-21	240V UK only
518-342E-21	240V UK only Power grip pre-installed

## Specifications

Accuracy	(1,1 + 0,6L/600) μm L = length (mm)
Slider stroke	600 mm/24"
Measuring range	0-972 mm/0-38.6"
Resolution	0,0001/0,001/0,01/0,1 mm or 0.00001/0.00001/0.0001/0.001"
Repeatability	(2σ) Plane : 0,4 μm (2σ) Bore : 0,9 μm
Display	Graphic LCD 320x240 dots (with back light)
Language for display	English/German/French/Spanish/ Italian/Dutch/Portuguese/Swedish/ Turkish/Czech/Hungarian/Slovenian/ Polish/Traditional Chinese (optional)/ Japanese
Perpendicularity	5 μm (after compensation)
Straightness	4 μm (mechanical)
Drive method	Manual/motor (5-40 mm/s, 7 steps)
Suspension method	Full/semi-floating with built-in air compressor
Balancing method	Counter balance
Measuring force	1 N
No. of stored programs	50 programs (max.)
No. of stored data	60,000 (max.)
Probes	See specific chapter on Probes

## Standard accessories

No.	Description
12AAA715	Setting block for linear height
12AAF634	Ball probe Ø 5 mm with receptacle
12AAF712	Battery for Linear Height
223587	Cover
357651	AC Adapter 9V



Linear Height LH-600D brochure on request

# Optional Accessories for Linear Height

## Series 518

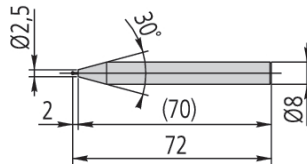
For LH-600 and QM-Height

### Optional accessories

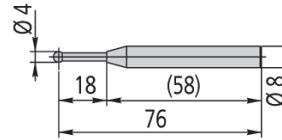
No.	Description
518-PAL	Box probes
<b>Boxed probes include:</b>	
226116 <sup>00</sup>	Adapter for holder of probes with $\varnothing 6$ mm shaft
226117 <sup>00</sup>	Adapter for KMG probes with M2 thread
226118 <sup>00</sup>	Adapter for KMG probes with M3 thread
957261 <sup>00</sup>	Ball probe $\varnothing 2$ mm
957262 <sup>00</sup>	Ball probe $\varnothing 3$ mm
957263 <sup>00</sup>	Ball probe $\varnothing 4$ mm
957264 <sup>00</sup>	Disc probe $\varnothing 14$ mm
957265 <sup>00</sup>	Disc probe $\varnothing 20$ mm
<b>Probes</b>	
05HZA148	Ball offset probe $\varnothing 5$ mm
12AAA788	Ball offset probe $\varnothing 4$ mm
12AAA789	Ball offset probe $\varnothing 6$ mm
12AAB552	$\varnothing 10$ mm ball contact point (coaxial type)
12AAF666	Ball probe $\varnothing 1$ mm
12AAF667	Ruby ball probe $\varnothing 2$ mm
12AAF668	Ball probe $\varnothing 10$ mm
12AAF669	Ball probe L=120, $\varnothing 10$ mm
12AAF673	Ball offset probe $\varnothing 2$ mm



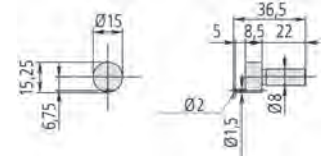
518-PAL



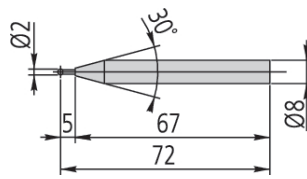
12AAF666  
Ball probe  $\varnothing 1$  mm



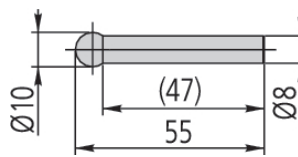
957263  
Ball probe  $\varnothing 4$  mm



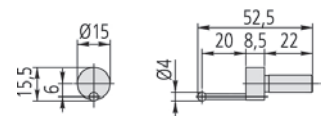
12AAF673  
Ball offset probe  $\varnothing 2$  mm



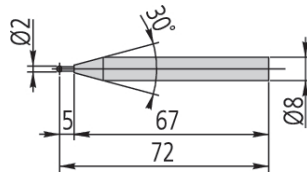
957261  
Ball probe  $\varnothing 2$  mm



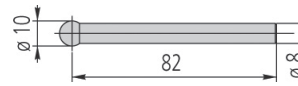
12AAB552  
Ball probe  $\varnothing 10$  mm



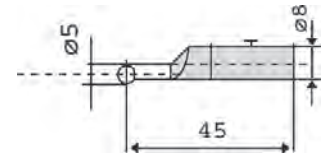
12AAA788  
Ball offset probe  $\varnothing 4$  mm



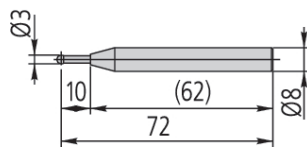
12AAF667  
Ruby ball probe  $\varnothing 2$  mm



12AAF668  
Ball probe  $\varnothing 10$  mm



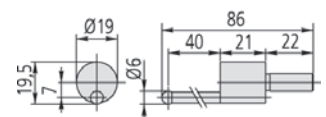
05HZA148  
Ball offset probe  $\varnothing 5$  mm



957262  
Ball probe  $\varnothing 3$  mm



12AAF669  
Ball probe, L = 120,  $\varnothing 10$  mm

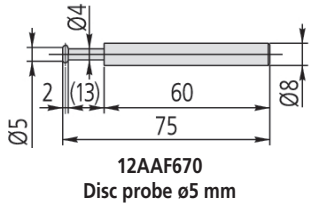


12AAA789  
Ball offset probe  $\varnothing 6$  mm

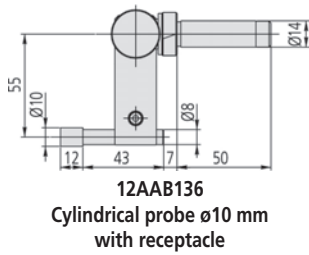
# Optional Accessories for Linear Height

Series 518

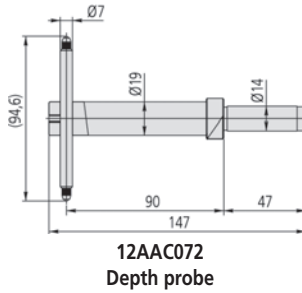
For LH-600 and QM-Height



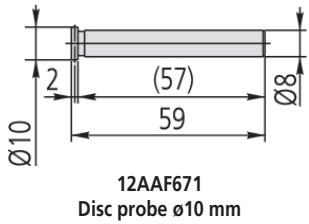
**12AAF670**  
Disc probe  $\varnothing 5$  mm



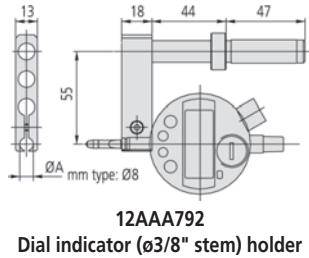
**12AAB136**  
Cylindrical probe  $\varnothing 10$  mm  
with receptacle



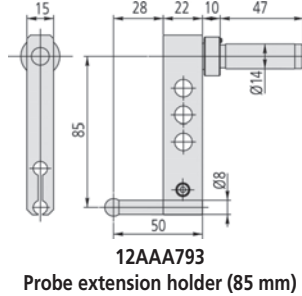
**12AAC072**  
Depth probe



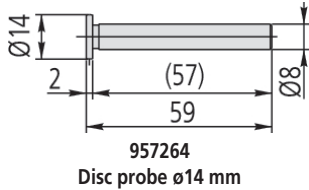
**12AAF671**  
Disc probe  $\varnothing 10$  mm



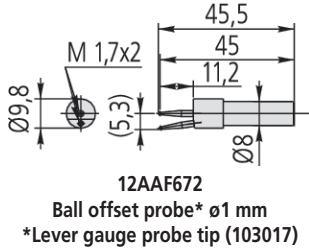
**12AAA792**  
Dial indicator ( $\varnothing 3/8$ " stem) holder



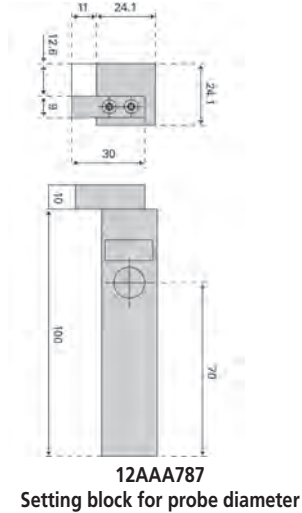
**12AAA793**  
Probe extension holder (85 mm)



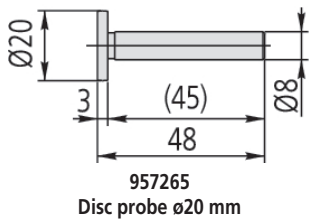
**957264**  
Disc probe  $\varnothing 14$  mm



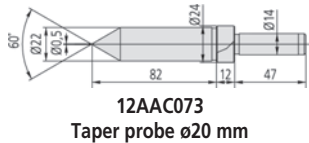
**12AAF672**  
Ball offset probe\*  $\varnothing 1$  mm  
\*Lever gauge probe tip (103017)



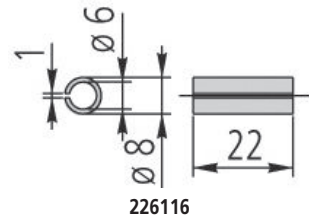
**12AAA787**  
Setting block for probe diameter



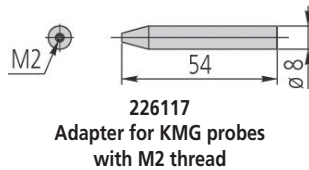
**957265**  
Disc probe  $\varnothing 20$  mm



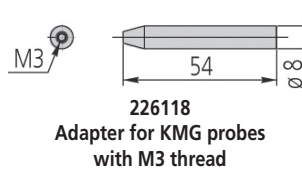
**12AAC073**  
Taper probe  $\varnothing 20$  mm



**226116**  
Adapter for holder of probes  
with  $\varnothing 6$  mm shaft



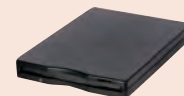
**226117**  
Adapter for KMG probes  
with M2 thread



**226118**  
Adapter for KMG probes  
with M3 thread

## Optional accessories

No.	Description
05HZA173	Scriber
12AAA787	Setting block for probe diameter
12AAA792	Dial indicator (stem $\varnothing 8$ mm) holder
12AAA793	Probe extension holder
12AAA796	Thermal printer (230 V)
12AAA800	Battery charger
12AAA802	Thermal print paper (10 rolls)
12AAA808D	Cable RS-232C D-SUB9/D-SUB 9 (4 m)
12AAF675	Large capacity battery set
12AAF712	Battery for Linear Height
12AAG245	Large capacity battery pack
12AAH035	USB floppy disk drive unit
936937	Data cable (1 m)
965014	Data cable (2 m)
264-504-5D	Digimatic Mini-Processor
264-504-5E	Digimatic Mini-Processor
02AZD790D	Data cable U-Wave
526888D	AC Adapter
526888E	AC Adapter UK only
12AAA807D	Cable RS-232C D-SUB 9/D-SUB 9 (2m)
<b>Adapters</b>	
226116	Adapter for holder of probes with $\varnothing 6$ mm shaft
226117	Adapter for KMG probes with M2 thread
226118	Adapter for KMG probes with M3 thread
<b>Probes</b>	
12AAB136	Cylindrical probe $\varnothing 10$ mm with receptacle
12AAC072	Depth probe
12AAC073	Taper probe $\varnothing 20$ mm
12AAF670	Disc probe $\varnothing 5$ mm
12AAF671	Disc probe $\varnothing 10$ mm
12AAF672	Ball offset probe $\varnothing 1$ mm
957264	Disc probe $\varnothing 14$ mm
957265	Disc probe $\varnothing 20$ mm
<b>To be ordered together</b>	
12AAA794	Probe connecting cable (for R-MH20)
12AAA798	Compensation weight
R-MH20	Electronic probe



**12AAH035**



**R-MH20**  
Electronic probe for  
Linear LH-600



**12AAA796**